



ELIA

Wash-basin 65x51 cm.

REF: 18030

65 cm wash-basin, with rounded shapes, that can be installed with pedestal, semi-pedestal or wall-hung.

Tap fittings and pedestal not included.
Available while stocks last.

REF. 18030

COLORES / ACABADOS

01
Blanco

ARTÍCULOS

Ref.	Producto/Conjunto	Medidas	€/u
18030	Lavabo con juego de fijación	65 x 51 cm	70,0 €
Opciones			
18430	Pedestal		46,1 €
18432	Semipedestal con juego de fijación		47,6 €

INFORMACIÓN DE PRODUCTO

Características

Wash-basin 65 x 51 cm. with fixing kit. / 19 kg. / 40 units pallet. Possible installation with pedestal, semi-pedestal or wall hung.

Garantía

Gala products are guaranteed against any manufacturing defects, from the date of purchase of the product, only if the installation has been carried out in accordance with Gala's installation instructions and, applying the current legislation on electrical and sanitary appliances, by authorised staff. The guarantee period for vitreous china is of 5 years.

Instalación

Please check our product installation manuals.

Certificaciones

High quality is a constant at Gala in order to guarantee the technical and aesthetic features as well as the performance of our products. Please check our product quality certificates.

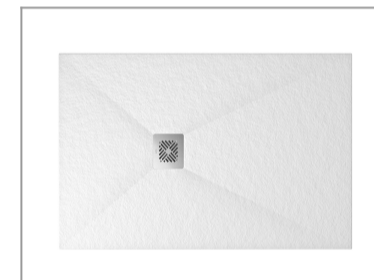
Mantenimiento

Cleaning should preferably be carried out using liquid detergent and a brush or sponge. Do not scrape with metal blades or steel scourer. Every six months it is advisable to check the wastepipe connections and check that there are no leaks.

COMPLEMENTOS



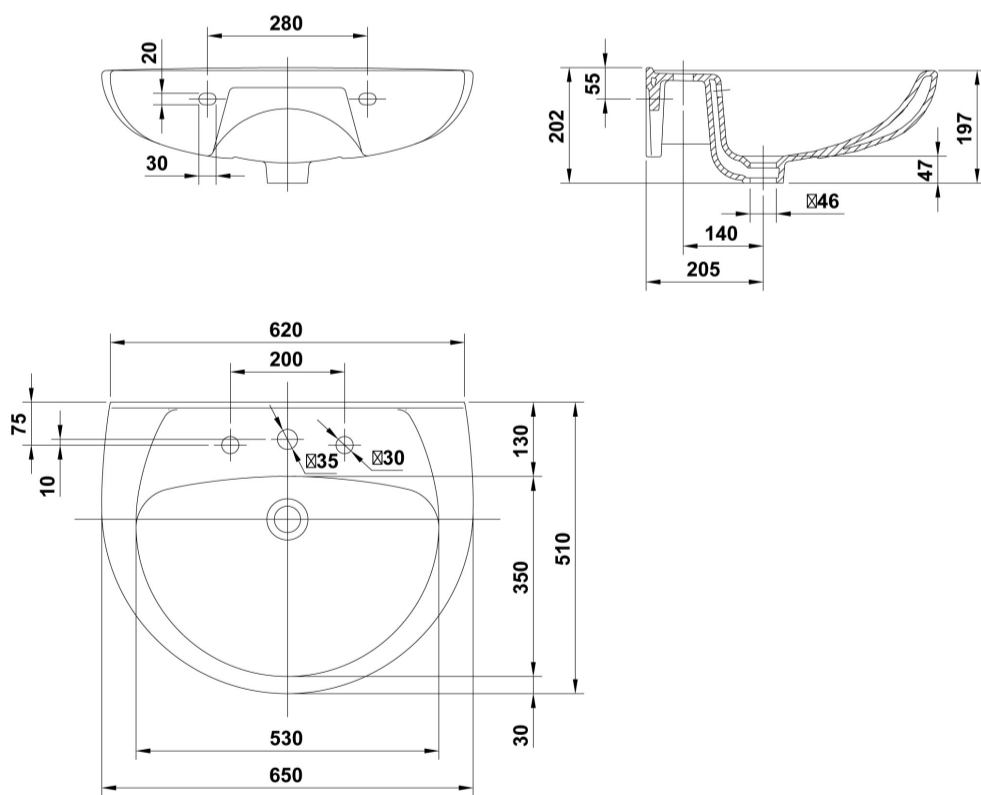
SUGERENCIAS



AMBIENTE



DIBUJOS TÉCNICOS





DESCARGAS

2D

-  79.52 KB [↓ Wash-basin 65x51 cm. - Técnico \(.AI\)](#)
-  88.04 KB [↓ Wash-basin 65x51 cm. - Técnico \(.DWG\)](#)
-  627.42 KB [↓ Wash-basin 65x51 cm. - Técnico \(.DXF\)](#)
-  92.65 KB [↓ Wash-basin 65x51 cm. - Técnico \(.PDF\)](#)
-  24.89 KB [↓ Wash-basin 65x51 cm. - Alzado \(.DWG\)](#)
-  18.78 KB [↓ Wash-basin 65x51 cm. - Alzado \(.DXF\)](#)
-  25.07 KB [↓ Wash-basin 65x51 cm. - Lateral \(.DWG\)](#)
-  19.49 KB [↓ Wash-basin 65x51 cm. - Lateral \(.DXF\)](#)
-  28.48 KB [↓ Wash-basin 65x51 cm. - Planta \(.DWG\)](#)
-  20.15 KB [↓ Wash-basin 65x51 cm. - Planta \(.DXF\)](#)

3D

-  1.64 MB [↓ Wash-basin 65x51 cm. - 3D \(.DWG\)](#)
-  4.15 MB [↓ Wash-basin 65x51 cm. - 3D \(.DXF\)](#)

bimobject

-  ArchiCAD [↓](#)
-  Revit [↓](#)